

Instructions for IV Push Infusion

Start Infusion

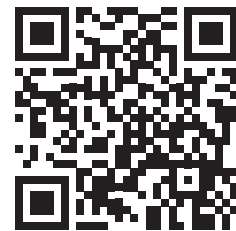
Supplies:

- ✓ One (1) syringe of room temperature medication
 - Do not microwave or put medication in warm water
 - Check patient's name, medication and directions
- ✓ Four (4) alcohol wipes
- ✓ Two (2) 10mL NS flush (normal saline syringe)
- ✓ One (1) SwabCap (orange, green or blue cap)
- ✓ One (1) heparin flush (if instructed)

Steps:

1. **WASH HANDS**
2. **CLEAN** area where you will be working
3. **OPEN** all clamps
4. **CLEAN** IV line with an alcohol wipe for 30 seconds
5. **REMOVE AIR** from NS flush and **FLUSH** IV line with 10mL
6. **CLEAN** IV line with an alcohol wipe for 30 seconds
7. **ATTACH** medication syringe to IV line
8. **INFUSE** medication over prescribed amount of time
9. **REMOVE** medication syringe from IV line
10. **CLEAN** IV line with an alcohol wipe for 30 seconds
11. **REMOVE AIR** from NS flush and **FLUSH** IV line with 10mL
12. If instructed, **REMOVE AIR** from heparin flush and **FLUSH** IV line
13. **PLACE** SwabCap on end of IV line
14. **CLAMP** IV line, if instructed
15. **THROW AWAY** all used supplies

**Training Video
Available!**

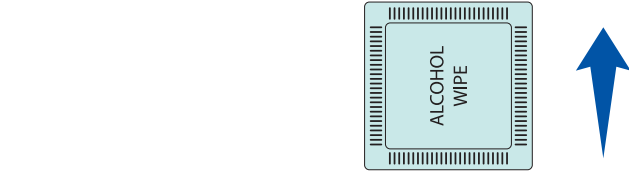


Scan the QR code using the camera on your smart phone or tablet to watch a quick instructional video.

SASH TEACHING GUIDE

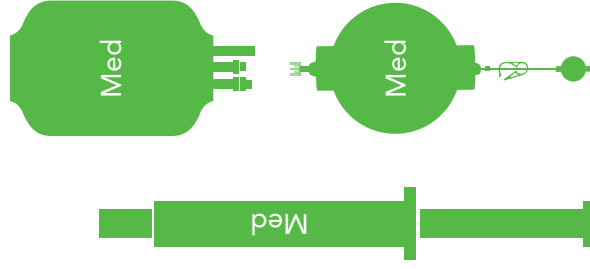
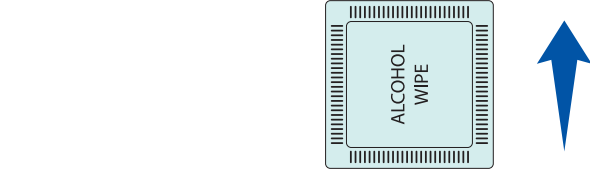
S

Saline



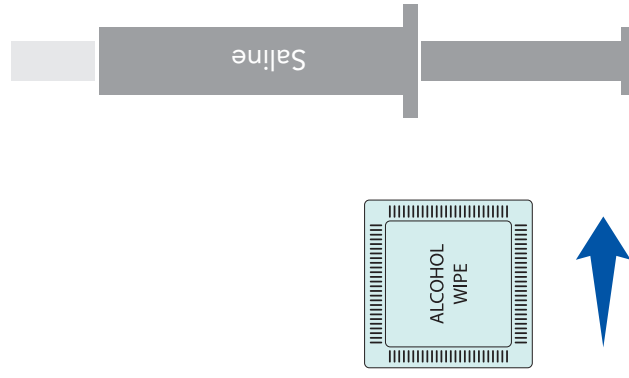
A

Administration
of Medicine



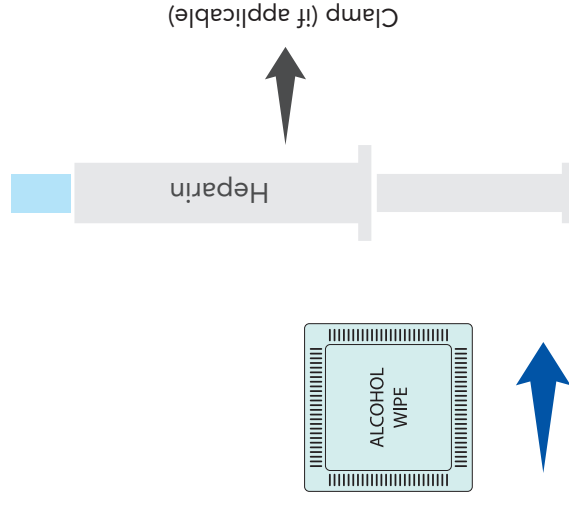
S

Saline



H

Heparin
(if ordered)



REMEMBER TO

- Use a new alcohol wipe for each step and scrub for at least 30 seconds.
- Clean your hands thoroughly using antibacterial soap and warm water. If no soap and water is available, use an alcohol-based hand sanitizer.
- If required, remove medication from refrigerator prior to use. Refer to medication label for required time.